

# MV-ID6200M-00C-NNG

20 MP 1" CMOS Smart Code Reader



## Introduction

With built-in code reading algorithm, MV-ID6200M-00C-NNG smart code reader can read different types of 1-dimensional code and 2-dimensional code with reading speed up to 60 codes/sec. It adopts deep learning algorithm to process image with good robustness, and can recognize various poor printing quality codes.

## Key Feature

- Provides 20 MP resolution to cover a larger field of view.
- Adopts deep learning algorithm with good robustness to recognize various poor printing quality codes.
- Supports recognition of multiple codes in the field of view.
- Supports gigabit Ethernet transmission to output images.
- Supports networking of multiple devices via code reading platform.
- Ingress protection (IP) 67.

## Available Model

MV-ID6200M-00C-NNG

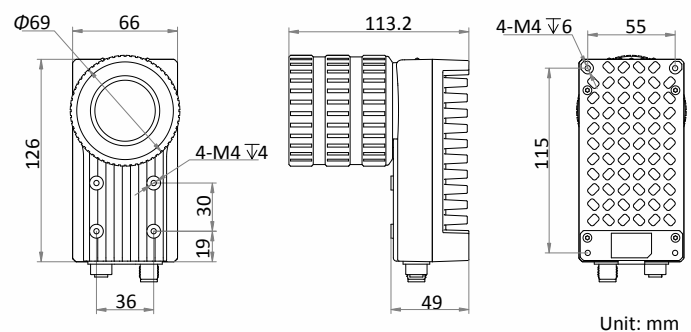
## Applicable Industry

Delivery logistics, warehouse logitics, etc.

## Accessories

- Lens: KF series FA lens
- Light source: MV-LB-270-140-4030WL-A

## Dimension



# Specification

<b>Model</b>	<b>MV-ID6200M-00C-NNG</b>
<b>Performance</b>	
<b>Symbologies</b>	1-dimensional codes: Code 39, Code 128, Code 93, ITF 25, CodaBar, EAN 8, EAN 13, UPCA, UPCE, ITF 14 2-dimensional codes: QR Code, Data Matrix
<b>Max. frame rate</b>	20 fps
<b>Max. reading speed</b>	60 codes/sec
<b>Sensor type</b>	CMOS, rolling shutter
<b>Pixel size</b>	2.4 $\mu\text{m}$ $\times$ 2.4 $\mu\text{m}$
<b>Sensor size</b>	1"
<b>Resolution</b>	5440 $\times$ 3648
<b>Exposure time</b>	16 $\mu\text{s}$ to 0.5 sec
<b>Gain</b>	0 dB to 40 dB
<b>Mono/color</b>	Mono
<b>Communication protocol</b>	SmartSDK, TCP Client, TCP Server, Serial, FTP
<b>Electrical feature</b>	
<b>Data interface</b>	Gigabit Ethernet
<b>Digital I/O</b>	12-pin M12 connector provides power and I/O, including opto-isolated input (LineIn 0/1/2) $\times$ 3, opto-isolated output (LineOut 3/4/5) $\times$ 3, and RS-232 $\times$ 1.
<b>Power supply</b>	12 VDC to 24 VDC
<b>Max. power consumption</b>	12 W@24 VDC
<b>Mechanical</b>	
<b>Lens mount</b>	C-mount
<b>Light source</b>	Not included
<b>Lens cap</b>	Included
<b>Dimension</b>	126 mm $\times$ 66 mm $\times$ 113.2 mm (5.0" $\times$ 2.6" $\times$ 4.5")
<b>Weight</b>	Approx. 750 g (1.7 lb.)
<b>Ingress protection</b>	IP67 ( under proper installation of waterproof lens cap)
<b>Temperature</b>	Working temperature: 0 $^{\circ}\text{C}$ to 50 $^{\circ}\text{C}$ (32 $^{\circ}\text{F}$ to 122 $^{\circ}\text{F}$ ) Storage temperature: -30 $^{\circ}\text{C}$ to 70 $^{\circ}\text{C}$ (-22 $^{\circ}\text{F}$ to 158 $^{\circ}\text{F}$ )
<b>Humidity</b>	20% to 95% RH, non-condensing
<b>General</b>	
<b>Client software</b>	IDMVS
<b>Certification</b>	CE, RoHS

**HIKROBOT**

Hangzhou Hikrobot Co., Ltd.  
en.hikrobotics.com

© Hangzhou Hikrobot Co., Ltd. All Rights Reserved.

Hangzhou Hikrobot does not tolerate any infringement. Any organization or individual may not imitate or reproduce in whole or in part of the content. The data herein is based on Hikrobot's internal evaluation. Actual data may vary depending on specific configuration and operating condition. The information herein is subject to change without notice. All the content has been checked conscientiously. Nevertheless, Hikrobot shall not be liable to damages resulting from errors, inconsistencies or omissions.