

MV-ID6120PM-00C-NNG

12 MP Smart Code Reader



Introduction

With built-in code reading algorithm, MV-ID6120PM-00C-NNG smart code reader can read different types of 1D codes and 2D codes with reading speed up to 84 codes/sec. It adopts deep learning algorithm to process images with good robustness, and can recognize various poor printing quality codes.

Available Model

MV-ID6120PM-00C-NNG

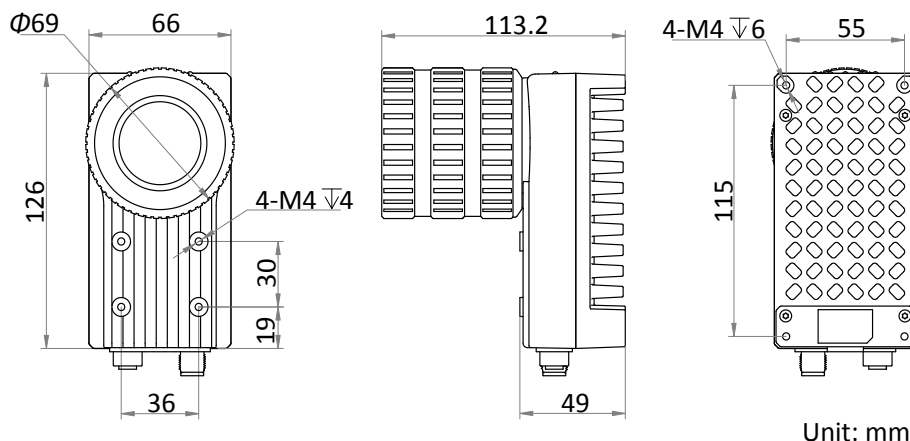
Applicable Industry

Express delivery and logistics, airport, e-commerce warehouse, etc.

Key Feature

- Adopts 12 MP sensor to provide high-quality images.
- Flexible installation and convenient debugging.
- Supports continuous reading of various codes without stopping.
- Supports recognizing various poor printing quality codes.
- Supports networking of multiple devices.
- Ingress protection 67.

Dimension



Specification

Model	MV-ID6120PM-00C-NNG
Performance	
Symbologies	1D codes: Code 39, Code 128, Code 93, ITF 14, ITF 25, CodaBar, EAN 8, EAN 13, UPCA, UPCE
	2D codes: QR Code, Data Matrix
Max. frame rate	28 fps
Max. reading speed	84 codes/sec
Sensor type	CMOS, global shutter
Pixel size	3.2 μm \times 3.2 μm
Sensor size	1"
Resolution	4096 \times 3072
Exposure time	16 μs to 1 sec
Gain	0 dB to 40 dB
Mono/color	Mono
Communication protocol	SmartSDK, TCP Client, TCP Server, Serial, FTP
Electrical feature	
Data interface	Gigabit Ethernet
Digital I/O	12-pin M12 connector provides power and I/O, including opto-isolated input (LineIn 0/1/2) \times 3, opto-isolated output (LineOut 3/4/5) \times 3, and RS-232 \times 1
Power supply	12 VDC to 24 VDC
Max. power consumption	12 W@24 VDC
Mechanical	
Lens mount	C-mount
Light source	Not included
Lens cap	Included
Dimension	126 mm \times 66 mm \times 113.2 mm (5.0" \times 2.6" \times 4.5")
Weight	Approx. 750 g (1.7 lb.)
Ingress protection	IP67 (under proper installation of waterproof lens cap)
Temperature	Working temperature: 0 $^{\circ}\text{C}$ to 50 $^{\circ}\text{C}$ (32 $^{\circ}\text{F}$ to 122 $^{\circ}\text{F}$)
	Storage temperature: -30 $^{\circ}\text{C}$ to 70 $^{\circ}\text{C}$ (-22 $^{\circ}\text{F}$ to 158 $^{\circ}\text{F}$)
Humidity	20% to 95% RH, without condensation
General	
Client software	IDMVS
Certification	CE, RoHS